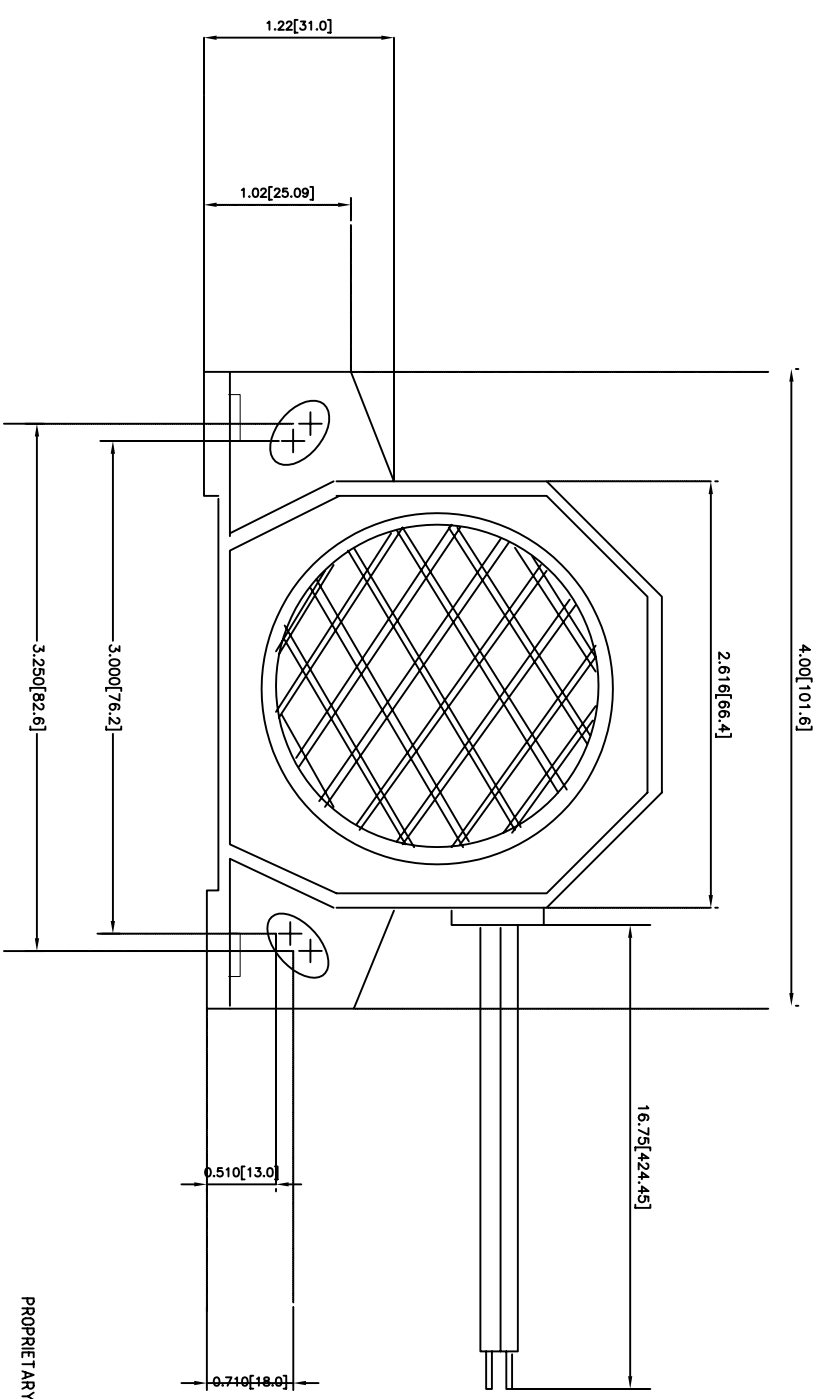
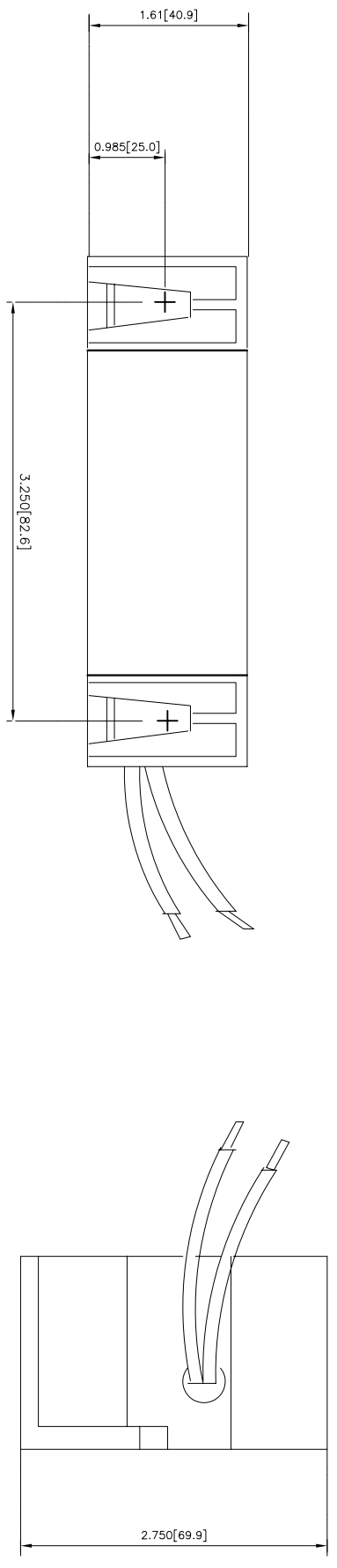


RED - POS (+)
 BLK - NEG (-)



- SPECIFICATIONS**
- VOLTAGE 12 TO 80 VDC
 - CURRENT DRAIN 0.2A
 - TEMPERATURE RANGE:
LDW: -30 +/- 3 DEG C
HIGH: 80 +/- 3 DEG C
 - FREQUENCY: 1250 Hz +/- 20%
 - OUTPUT LEVEL AT 1M 12V-87 80V-97 dB(A) +/- 4dB(A)
 - DUTY CYCLE: 1 PULSE PER SECOND 50% ON - 50% OFF
 - IP66
 - COLOR: BLACK
 - MANUFACTURER CERTIFIES THAT THIS PRODUCT CONFORMS TO THE REQUIREMENTS OF THE EUROPEAN COUNCIL FOR 'e' AND CE MARKING

PROPRIETARY NOTICE
 EXPRESS WRITTEN CONSENT OF BRIGADE ELECTRONICS PLC.



Itemref	Quantity	Title/Name, designation, material, dimension etc	Article No./Reference	Scale
Designed by DKERAI		Checked by DKERAI	Approved by - date DKERAI - 21/01/04	Filename 14/12/2005

THIS DESIGN AND TECHNICAL INFORMATION APPEARING ON THIS DRAWING IS THE PROPERTY OF BRIGADE ELECTRONICS PLC. AND IS DISCLOSED IN CONFIDENCE. IT IS NOT TO BE COPIED, REPRODUCED, REVEALED TO OR APPROPRIATE BY OTHERS, EITHER IN WHOLE OR IN PART WITHOUT THE